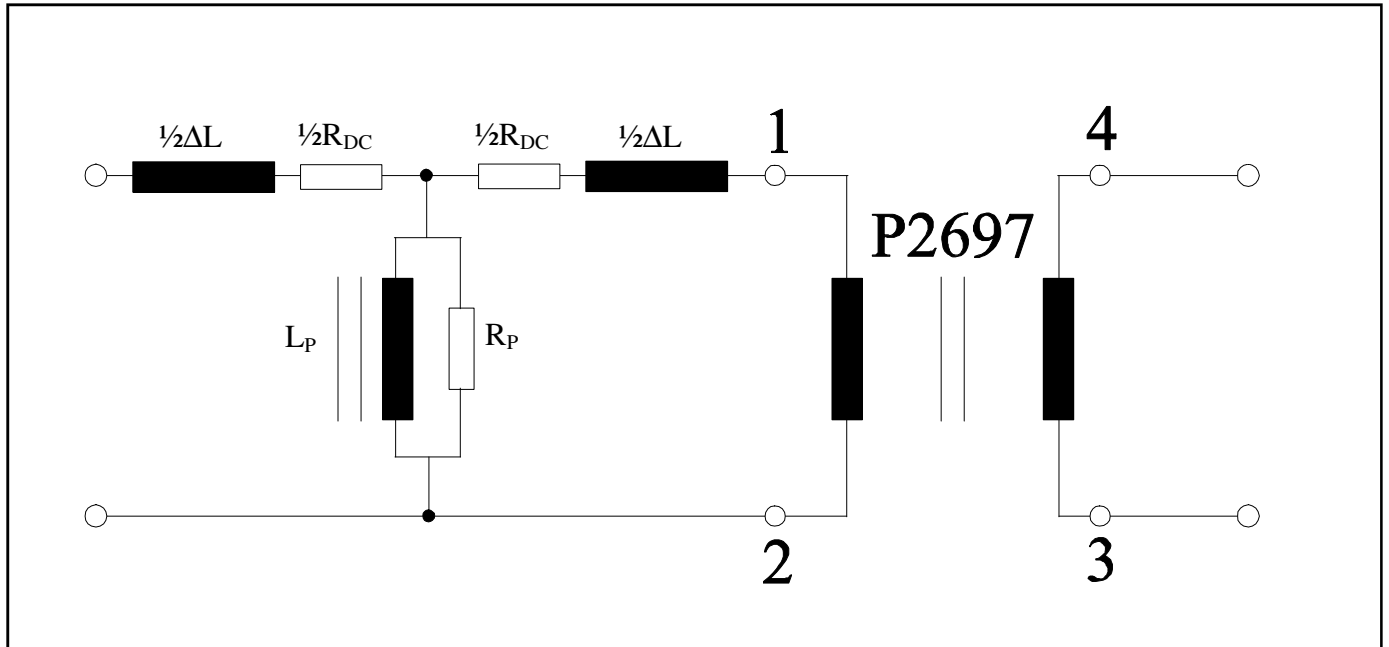


Equivalent Circuit

P2697



Specifications

Parameter	Conditions	Min	Typical	Max	Units
DC Resistance $R_{DC}^{(1)}$	Sum of windings	20		26	Ω
Leakage Inductance ΔL			450		μH
Shunt Inductance L_p	10 mV 200Hz	145		350	mH
	10mV 1kHz		180		mH
Shunt Loss R_p	10 mV 200Hz		700		Ω
	10mV 1kHz		1.2		k Ω

Notes:

(1) Caution: do NOT pass DC through windings

Best
Windings Ltd

www.bestwindings.co.uk

*Best Windings Ltd, Viking Works,
Bucklesham Road, Kirton, Ipswich,
Suffolk, England. IP10 0NX
E-Mail: sales@bestwindings.co.uk
Tel: + 44 (0) 1394 448 424
Fax: + 44 (0) 1394 448 430*