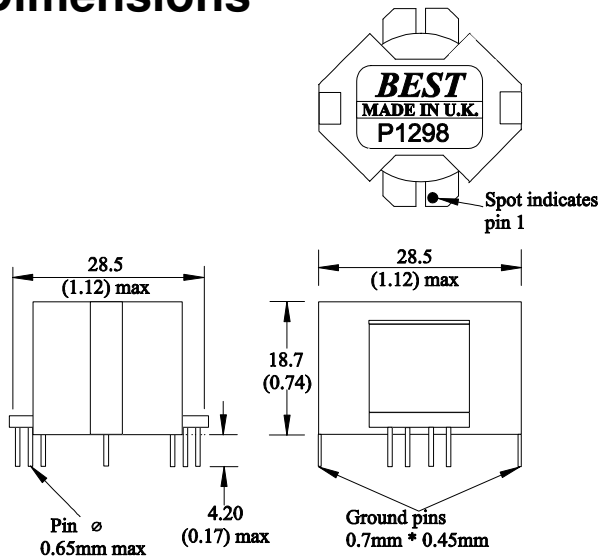


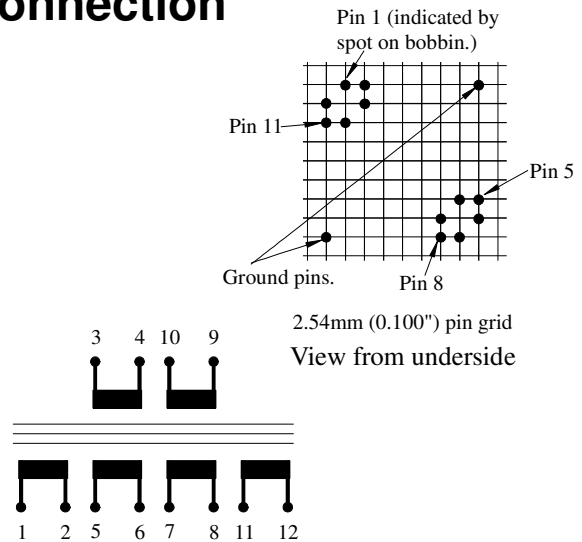
## Features

- Robust construction
- Low distortion
- Flammability UL94 -V0
- 500 V DC isolation

## Dimensions



## Connection



Dimensions in mm (inches)  
 Connection pins require finished hole size of 1.1mm (+0.15).  
 N.B. 3mm pads give 6mm creepage / clearance on PCB

Tolerances  $\pm 0.1$ mm

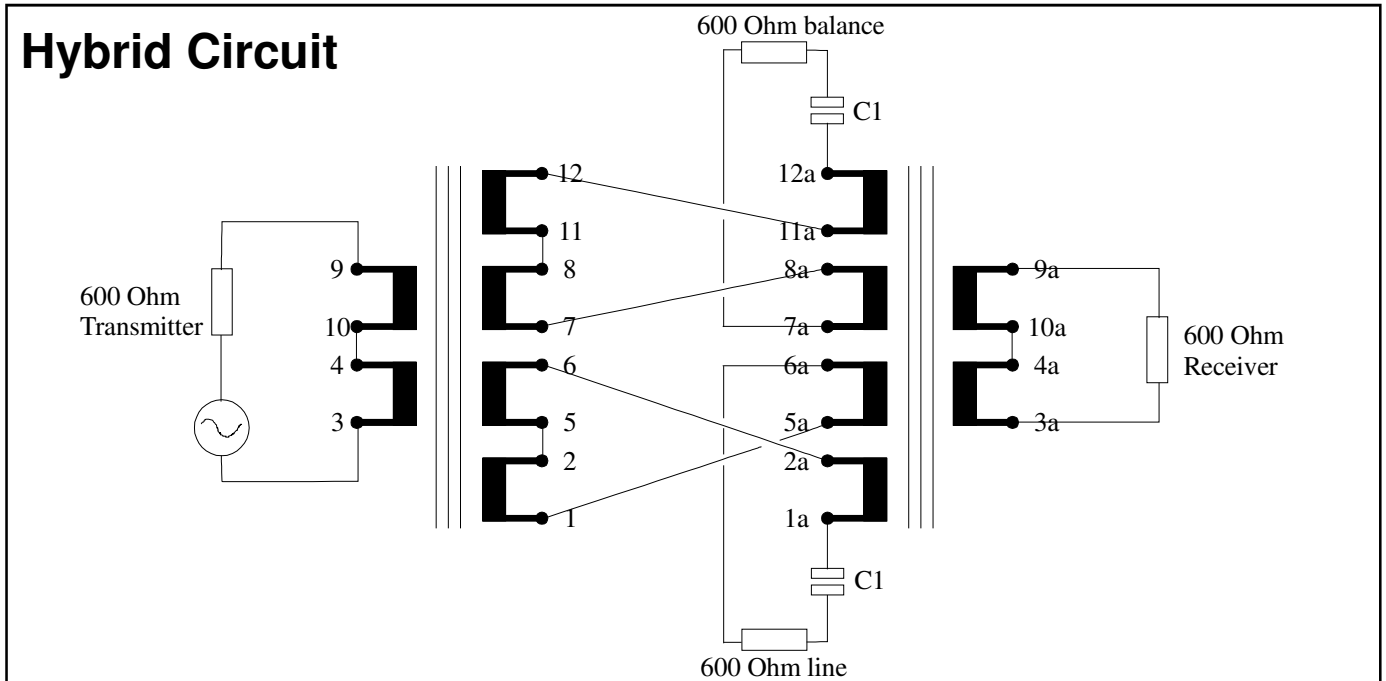
## Technical Data

Parameter	Conditions	Value
Insertion loss	200 Hz	<4.0 dB
Hybrid loss (C1) infinity	200 Hz 4 kHz	>70 dB >67 dB
Isolation Voltage	DC	500 V
Operating range		Ambient Temperature
Functional		-10°C to +70°C
Storage		-40°C to +125°C

**Best**  
**Windings Ltd**

[www.bestwindings.co.uk](http://www.bestwindings.co.uk)

*Best Windings Ltd, Viking Works,  
 Bucklesham Road, Kirton, Ipswich,  
 Suffolk, England. IP10 0NX  
 E-Mail: [sales@bestwindings.co.uk](mailto:sales@bestwindings.co.uk)  
 Tel: + 44 (0) 1394 448 424  
 Fax: + 44 (0) 1394 448 430*



### Technical Data for Hybrid

Insertion Loss dB	200 Hz	500 Hz	1 kHz	4 kHz
C1=4	3.6	3.3	3.2	3.2
C1=6.8μfd	3.6	3.4	3.2	3.2
C1=4.7μfd	3.6	3.4	3.2	3.2
C1=2.2μfd	3.6	3.4	3.2	3.2
Hybrid loss dB				
C1=4	>70	>70	>70	>67
C1=6.8μfd	26	34	40	54
C1=4.7μfd	23	31	37	51
C1=2.2μfd	17	24	30	44
Return loss dB all ports terminated in 600Ω -03%				
C1=4	14	21	24.8	26.5
C1=6.8μfd	20	25	25	26.5
C1=4.7μfd	24.5	27.5	27	27

**Best Windings Ltd**

www.bestwindings.co.uk

©2007 The product numbers used are the trademarks of Best Windings Ltd  
November 2007

Best Windings Ltd, Viking Works,  
Bucklesham Road, Kirton, Ipswich,  
Suffolk, England. IP10 0NX  
E-Mail: sales@bestwindings.co.uk  
Tel: + 44 (0) 1394 448 424  
Fax: + 44 (0) 1394 448 430