

75 ohm Braid Breaker Transformer

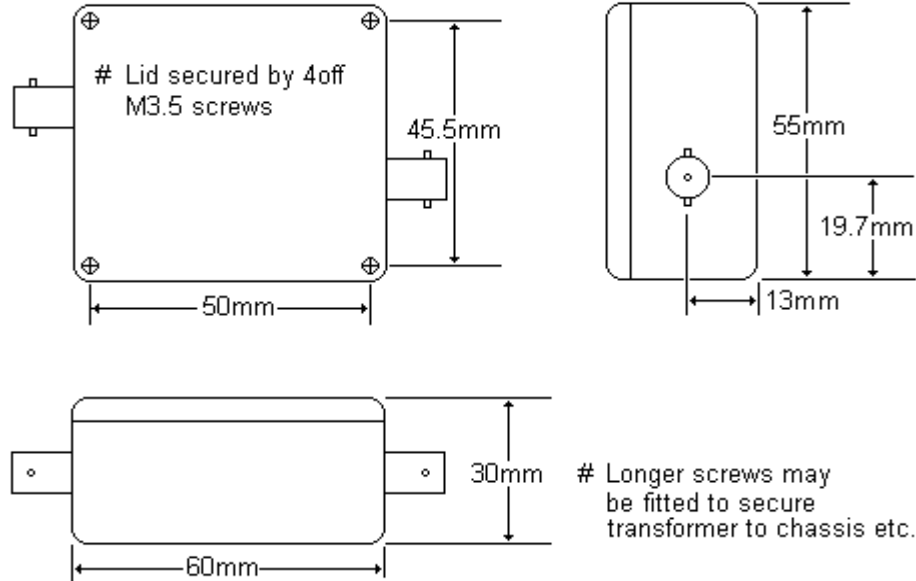
B5184.1

Provisional Data Sheet Nov.01

Features

- Wide Bandwidth
- Low Insertion Loss
- Competitive Prices
- Robust Construction
- Usually Ex Stock Delivery
- Small size

Dimensions



Dimensions in mm (inches)

Technical Data

Parameter	Conditions	Value
Input / Output Impedance	N/a	75 ohms
Terminations	N/a	75 ohm BNC Sockets
Box material	N/a	Die cast aluminium. Natural finish
Frequency Response H.F.	-3db Typical	6.5 MHz
Insertion Loss	500kHz Typical	1.0db
Lp Pri / Sec	50Hz 1 volt RMS Typical	1.6H
Isolation Voltage	DC	500 V
Operating range Functional Storage		Ambient Temperature -10°C to +70°C -40°C to +125°C

Best
Windings Ltd

<http://www.bestwindings.co.uk/>

*Best Windings Ltd, Viking Works,
7 Bucklesham Road, Kirton, Ipswich,
Suffolk, England. IP10 0NX
E-Mail: sales@bestwindings.co.uk
Tel: + 44 (0) 1394 448 424
Fax: + 44 (0) 1394 448 430*