

Inductor RM6 Rugged mount

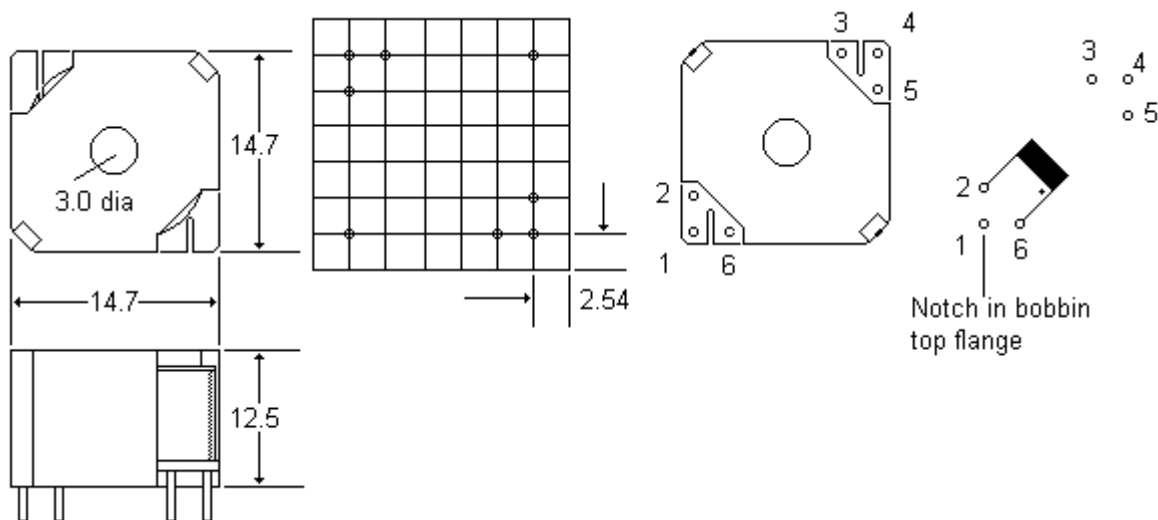
B5170

Provisional Data Sheet Nov. 01.

Features

- 12.5mm Seated height
- Can be secured by screw fixing
- Close tolerance
- Usually from stock delivery
- Other Lp values to order

Dimensions



Dimensions in mm
Tolerances ± 0.1 mm
PCB hole size 1.0mm finished

Technical Data

Parameter	Conditions	Value
Lp pins 2- 6	10kHz 10mV	14.6 / 15.3 mH
Can be secured to pcb by nylon screw		3.0mm Diameter Max.
Operating range Functional Storage		Ambient Temperature -10°C to +70°C -40°C to +125°C

Best Windings Ltd

<http://www.bestwindings.co.uk/>

Best Windings Ltd, Viking Works,
7 Bucklesham Road, Kirton, Ipswich,
Suffolk, England. IP10 0NX
E-Mail: sales@bestwindings.co.uk
Tel: + 44 (0) 1394 448 424
Fax: + 44 (0) 1394 448 430

©The product numbers used are the trademarks of Best Windings Ltd
©1996 Best Windings Ltd. Reproduction Prohibited

May 1996