

Common Mode Choke

Provisional Data Sheet Nov.01

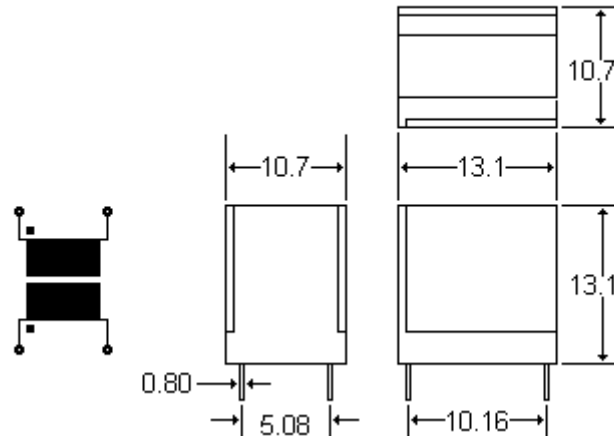
B5161

Features

- Compact size
- UL94V0 rated

- Resin cast - Rugged design
- Usually from stock delivery
- Controlled Lp and ΔL
- Other values to order

Dimensions



Dimensions in mm (inches)
Connection pins require a finished hole size of 1.2 mm

Tolerances ± 0.1 mm

Technical Data

| Parameter / Part No. | Conditions | Value typical |
|--|-------------|--|
| Inductance Lp | 10 kHz 10mV | 1.9 / 2.5 mH |
| Leakage Inductance ΔL | 10 kHz 10mV | 3 / 5 μ H |
| DCR of each winding | | 0.180 ohms |
| Isolation Voltage Wdg / Wdg | DC - 5 secs | 500 V |
| Operating range Functional Storage | | Ambient Temperature -10°C to +70°C -40°C to +125°C |

Best
Windings Ltd

<http://www.bestwindings.co.uk/>

*Best Windings Ltd, Viking Works,
7 Bucklesham Road, Kirton, Ipswich,
Suffolk, England. IP10 0NX
E-Mail: sales@bestwindings.co.uk
Tel: + 44 (0) 1394 448 424
Fax: + 44 (0) 1394 448 430*

©The product numbers used are the trademarks of Best Windings Ltd
©1996 Best Windings Ltd. Reproduction Prohibited

May 1996