

Fly back transformer

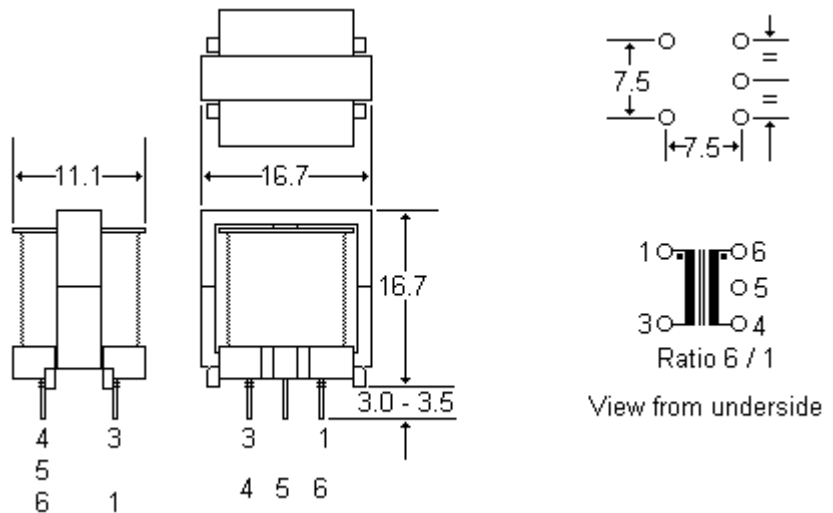
Provisional Data Sheet Nov.01

B5138

Features

- Under 17mm Seated height
- Minimal Foot Print
- Tested to 1000V DC isolation
- Flammability to UL94 V0
- Low cost design
- Usually from stock availability

Dimensions



Dimensions in mm
Connection pins require finished hole size of 1.0mm

Tolerances ± 0.1 mm

Technical Data

Parameter	Conditions	Value
Lp pins 1-3	10 kHz 10mV	3.87- 4.73 mH
Leakage Ls pins 1-3	100 kHz 100mV	45 μ H typical
Ratio Pins 1-3 : 4-6		6 : 1
DCR pins 1-3		0.16 Ω typical
DCR pins 4-6		2.6 Ω typical
Isolation Voltage	DC	500 V
Operating range Functional Storage		Ambient Temperature -10°C to +70°C -40°C to +125°C

Best
Windings Ltd

<http://www.bestwindings.co.uk/>

*Best Windings Ltd, Viking Works,
7 Bucklesham Road, Kirton, Ipswich,
Suffolk, England. IP10 0NX
E-Mail: sales@bestwindings.co.uk
Tel: + 44 (0) 1394 448 424
Fax: + 44 (0) 1394 448 430*

©The product numbers used are the trademarks of Best Windings Ltd
©1996 Best Windings Ltd. Reproduction Prohibited

May 1996