

600Ω - 600Ω Wet Line Match Transformer

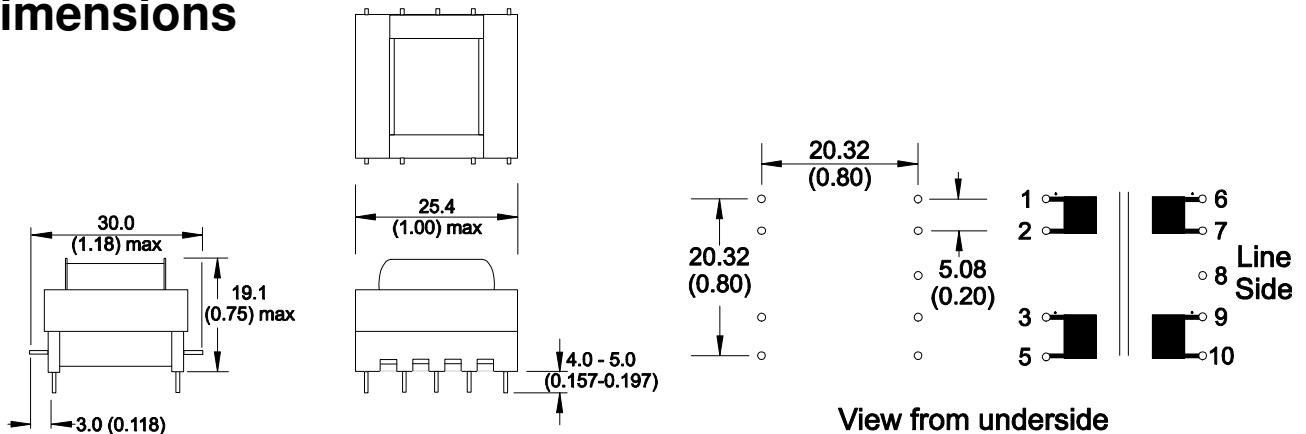
B5127

Provisional Data Sheet

Features

- Low Profile
- Flammability Rated to UL94V-0
- Rugged Open Frame Construction
- Tested to 1500V DC Isolation

Dimensions



Pin size 0.95 * 0.6mm

Dimensions in mm (inches)
Recommended PCB hole size 1.4mmØ

Tolerances ±0.3mm

Technical Data

Parameter	Conditions	Value
Primary Inductance	200 Hz 10 mV 0 mA DC	2 H Typical
Primary Inductance (with DC)	200 Hz 10mV 40 mA DC	2 H Typical
Leakage Inductance	5 kHz 100mV	6 mH Typical
DC Resistance	Primary	355 Ω Typical
DC Resistance	Secondary	350 Ω Typical
Nominal Ratio	Pri : Sec	1 : 1
Isolation Voltage	DC	1500 V Min
Operating Range	Ambient Temperature	-10°C to +70°C
Functional		-40°C to +125°C
Storage		95% R.H.
Humidity		

Best Windings Ltd

www.bestwindings.co.uk

Best Windings Ltd, Viking Works,
Bucklesham Road, Kirton, Ipswich,
Suffolk, England. IP10 0NX

E-Mail: sales@bestwindings.co.uk

Tel: + 44 (0) 1394 448 424

Fax: + 44 (0) 1394 448 430

©The product numbers used are the trademarks of Best Windings Ltd
©1998-2007 Best Windings Ltd. Reproduction Prohibited

November 2007