

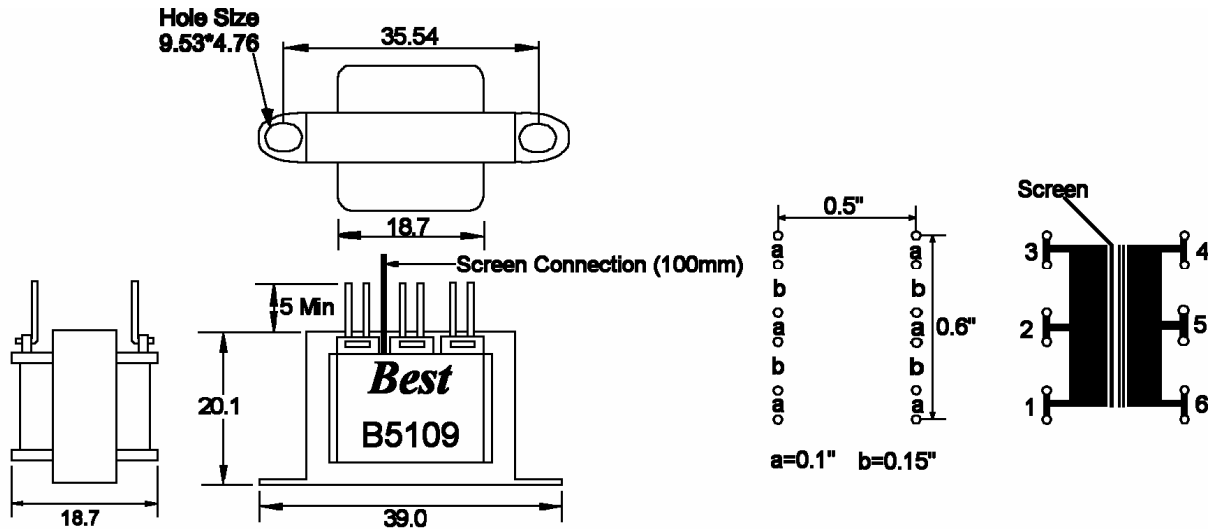
Audio Transformer 10k Ω C.T. : 10k Ω C.T. B5109

Provisional Data Sheet

Features

- Vacuum varnish impregnated
- Tested to 1000V DC isolation
- Internal Screen
- Flammability to UL94 V0

Dimensions



Dimensions in mm (Unless stated)

Tolerances ± 0.1 mm

Recommended clamping screw M3

Technical Data

Parameter	Conditions	Value
Inductance pins 1-3	100 Hz 10 mV	100 H Typical
Leakage Inductance pins 1-3	10 kHz	125 mH Typical
Ratio Pins 1-3 : 4-6		1 C.T. : 1 C.T.
DC Resistance	Pins 1-3	330 Ω Typical
DC Resistance	Pins 4-6	480 Ω Typical
Phantom Powering	Imbalance I (μ A)	25 mA
Isolation voltage	DC	1000 V
Operating Range	Ambient temperature	-10 $^{\circ}$ C to 70 $^{\circ}$ C
Functional Storage		-40 $^{\circ}$ C to 125 $^{\circ}$ C

Best Windings Ltd

www.bestwindings.co.uk

Best Windings Ltd, Viking Works,
Bucklesham Road, Kirton, Ipswich,
Suffolk, England. IP10 0NX
E-Mail: sales@bestwindings.co.uk
Tel: + 44 (0) 1394 448 424
Fax: + 44 (0) 1394 448 430

©The product numbers used are the trademarks of Best Windings Ltd
©1997-2007 Best Windings Ltd. Reproduction Prohibited

November 2007