

# Audio Transformer 10k $\Omega$ C.T. :10k $\Omega$ C.T.

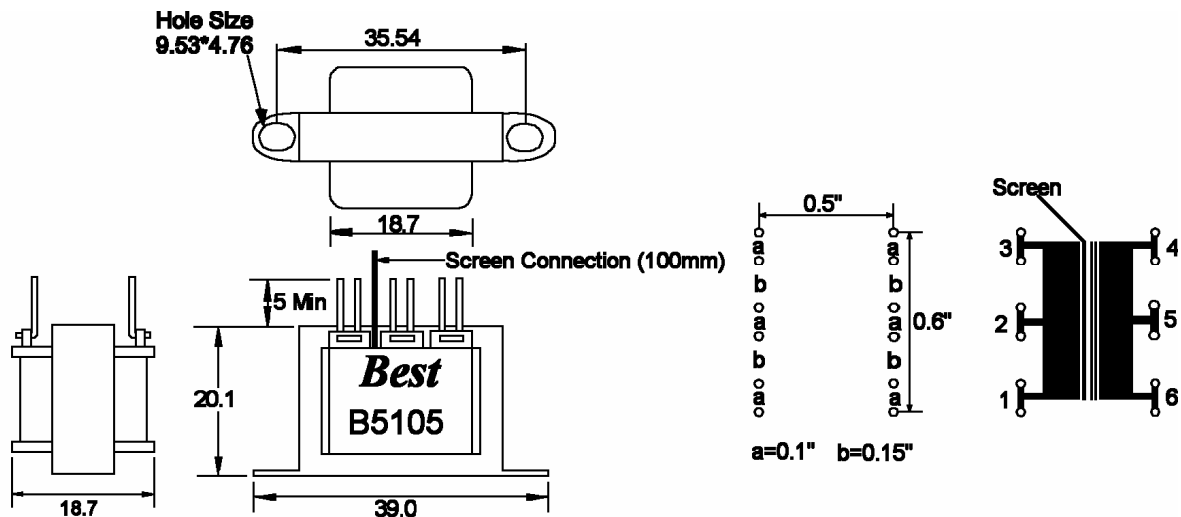
Provisional Data Sheet

# B5105

## Features

- Vacuum varnish impregnated
- Tested to 1000V DC isolation
- Internal Screen
- Flammability to UL94 V0

## Dimensions



Dimensions in mm (Unless stated)

Tolerances  $\pm 0.1$ mm

Recommended clamping screw M3

## Technical Data

Parameter	Conditions	Value
Inductance pins 1-3	100 Hz 10 mV	100 H Typical
Leakage Inductance pins 1-3	10 kHz	20 mH Typical
Ratio Pins 1-3 : 4-6		1 C.T. : 1 C.T.
DC Resistance	Pins 1-2-3	150 $\Omega$ + 250 $\Omega$ Typical
DC Resistance	Pins 4-6	400 $\Omega$ Typical
Phantom Powering	Imbalance I ( $\mu$ A) Pins 4,5,6	25 mA
Isolation voltage	DC	1000 V
Operating Range	Ambient temperature	-10 $^{\circ}$ C to 70 $^{\circ}$ C
Functional Storage		-40 $^{\circ}$ C to 125 $^{\circ}$ C

# Best Windings Ltd

[www.bestwindings.co.uk](http://www.bestwindings.co.uk)

Best Windings Ltd, Viking Works,  
Bucklesham Road, Kirton, Ipswich,  
Suffolk, England. IP10 0NX  
E-Mail: [sales@bestwindings.co.uk](mailto:sales@bestwindings.co.uk)  
Tel: + 44 (0) 1394 448 424  
Fax: + 44 (0) 1394 448 430