

SMD Line matching transformer 50Ω 1:1

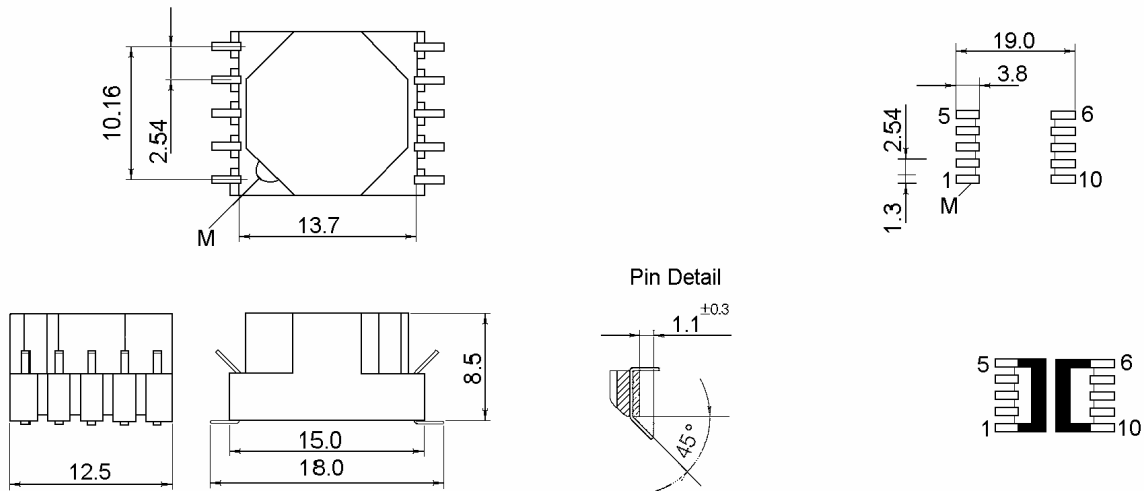
B5097

Provisional Data Sheet

Features

- 8.5mm Seated height
- Resin filled
- Tested to 500V DC isolation
- Industry standard SMD package
- Flammability to UL94 V0

Dimensions



Dimensions in mm (inches)

Tolerances ± 0.1 mm

Technical Data

Parameter	Conditions	Value
Inductance pins 1-5	100 kHz 10 mV	1 mH Typical
Leakage Inductance pins 1-5	100 kHz	300 μ H Typical
Ratio Pins 1-5 : 10-6		1 : 1
Frequency response	2 MHz - 6 MHz	± 0.2 dB
Isolation voltage	DC	500 V
Operating Range	Ambient temperature	-10°C to 70°C
Functional		-40°C to 125°C
Storage		

Best Windings Ltd

www.bestwindings.co.uk

Best Windings Ltd, Viking Works,
Bucklesham Road, Kirton, Ipswich,
Suffolk, England. IP10 0NX

E-Mail: sales@bestwindings.co.uk

Tel: + 44 (0) 1394 448 424

Fax: + 44 (0) 1394 448 430

©The product numbers used are the trademarks of Best Windings Ltd
©1996-2007 Best Windings Ltd. Reproduction Prohibited

November 2007