

2A 100 μ H Inductor

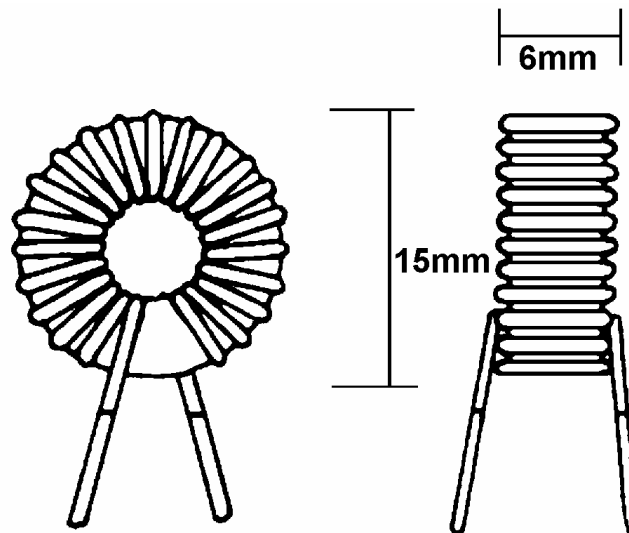
Provisional Data Sheet

B5082

Features

- Low Cost
- Toroidal Design
- Rugged Open Frame Construction
- Low Profile

Dimensions



Dimensions in mm
Recommended PCB hole size 0.5mm \varnothing

Tolerances ± 0.3 mm
Lead Length 25mm Approx

Technical Data

Parameter	Conditions	Value
Inductance	100kHz 10mV	100 μ H Typical
Operating Current		2A DC Max*
Winding Resistance	DC	0.15 Ω Typical
Operating Range	Ambient Temperature	-10 $^{\circ}$ C to +70 $^{\circ}$ C
Functional		-40 $^{\circ}$ C to +125 $^{\circ}$ C
Storage		95% R.H.
Humidity		

* As DC current is increased, the Inductance will drop slightly. At 2A the inductance will drop by less than 10%

Best Windings Ltd

www.bestwindings.co.uk

Best Windings Ltd, Viking Works,
Bucklesham Road, Kirton, Ipswich,
Suffolk, England. IP10 0NX

E-Mail: sales@bestwindings.co.uk

Tel: + 44 (0) 1394 448 424

Fax: + 44 (0) 1394 448 430

©The product numbers used are the trademarks of Best Windings Ltd
©1998-2007 Best Windings Ltd. Reproduction Prohibited

November 2007