

# Inductor Self - supporting

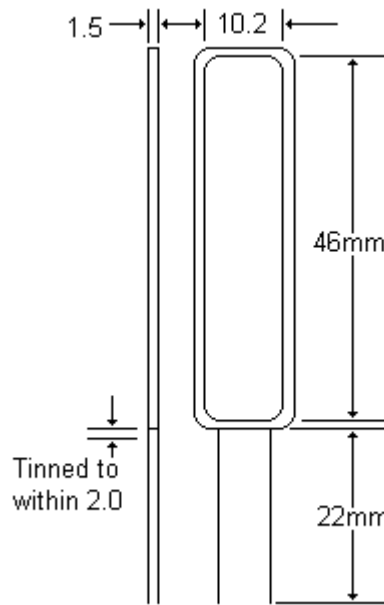
Provisional Data Sheet Nov. 01.

# B5012

## Features

- Other Inductance values to order
- Usually from stock delivery
- Other styles to order

## Dimensions



Dimensions in mm  
Tolerances  $\pm 0.1$ mm

## Technical Data

Parameter	Conditions	Value
Lp	100kHz 10mV	Typical 88uH
Operating range Functional Storage		Ambient Temperature -10°C to +70°C -40°C to +125°C

**Best**  
**Windings Ltd**

<http://www.bestwindings.co.uk/>

*Best Windings Ltd, Viking Works,  
7 Bucklesham Road, Kirton, Ipswich,  
Suffolk, England. IP10 0NX  
E-Mail: [sales@bestwindings.co.uk](mailto:sales@bestwindings.co.uk)  
Tel: + 44 (0) 1394 448 424  
Fax: + 44 (0) 1394 448 430*

©The product numbers used are the trademarks of Best Windings Ltd  
©1996 Best Windings Ltd. Reproduction Prohibited

May 1996