

Line matching transformer 75Ω

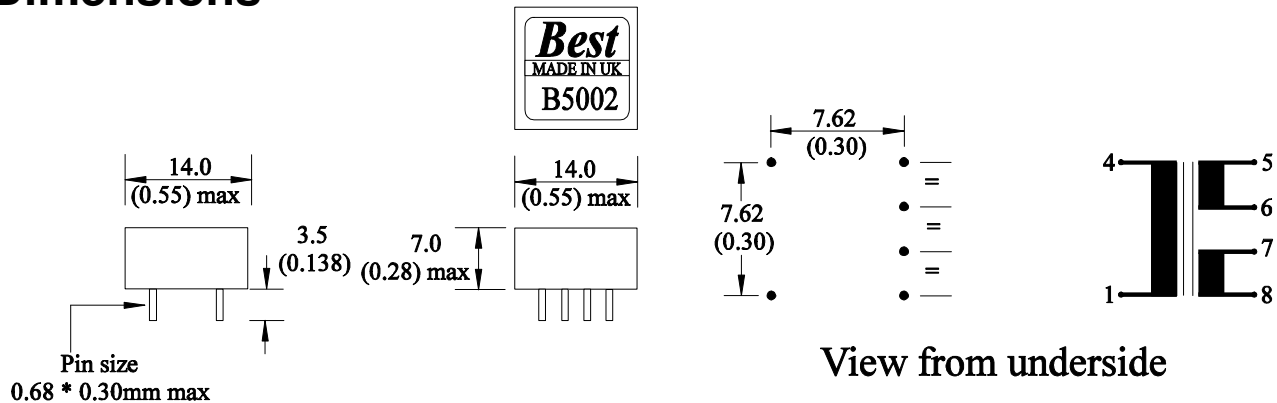
B5002

Provisional Data Sheet

Features

- 7mm Seated height
- Vacuum encapsulated
- Tested to 500V DC isolation
- Range 50kHz - 3.0MHz
- Fully shrouded connections
- Flammability to UL94 V0

Dimensions



Dimensions in mm (inches)

Connection pins require finished hole size of 1.0mm (+0.15).

Pin grid and box geometric centres coincide within a tolerance circle of 1.0mm

Tolerances ± 0.1 mm

Technical Data

Parameter	Conditions	Value
Lp pins 5-8	10 kHz	>1.5mH
Leakage Ls pins 5-8	100 kHz	<290nH
Ratio Pins 1-4 : 5-6 + 7-8		1 : 1 + 1
Operating level		-45dB / +10dB
Longitudinal balance		CCITT 1.431
Insertion Loss		< 0.5dB
Isolation Voltage	DC	500 V
Operating range		Ambient Temperature
Functional		-10°C to +70°C
Storage		-40°C to +125°C

Best Windings Ltd

www.bestwindings.co.uk

Best Windings Ltd, Viking Works,
Bucklesham Road, Kirton, Ipswich,
Suffolk, England. IP10 0NX
E-Mail: sales@bestwindings.co.uk
Tel: + 44 (0) 1394 448 424
Fax: + 44 (0) 1394 448 430

©The product numbers used are the trademarks of Best Windings Ltd
©1996-2007 Best Windings Ltd. Reproduction Prohibited

November 2007