

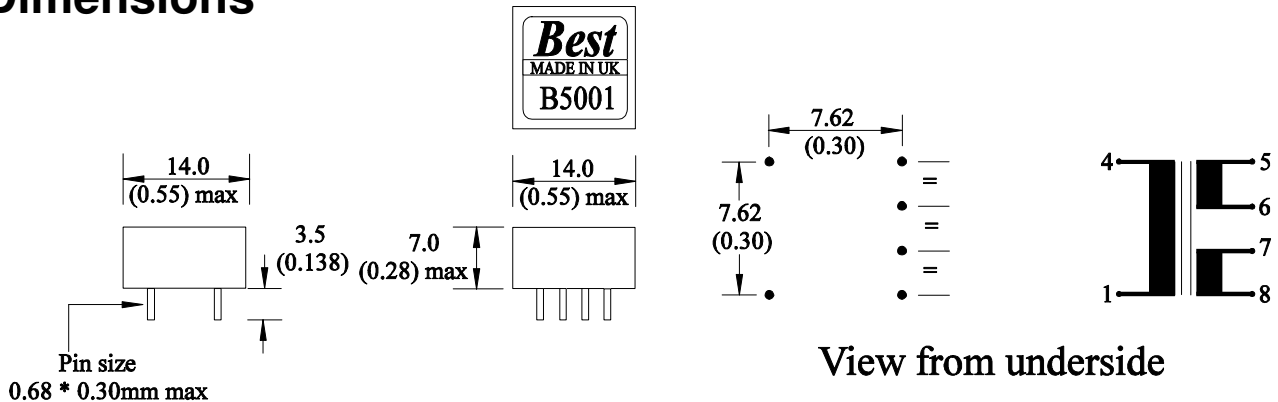
Line matching transformer 75Ω - 120Ω B5001

Provisional Data Sheet

Features

- 7mm Seated height
- Vacuum encapsulated
- Tested to 500V DC isolation
- Range 50 kHz - 3.0 MHz
- Fully shrouded connections
- Flammability to UL94 V0

Dimensions



Dimensions in mm (inches)

Connection pins require finished hole size of 1.0mm (+0.15).

Pin grid and box geometric centres coincide within a tolerance circle of 1.0mm

Tolerances ± 0.1 mm

Technical Data

| Parameter | Conditions | Value |
|----------------------------|------------|---------------------|
| Lp pins 5-8 | 10 kHz | >1.5mH |
| Leakage Ls pins 5-8 | 100 kHz | <290nH |
| Ratio Pins 1-4 : 5-6 + 7-8 | | 1 : 1 + 0.24 |
| Operating level | | -45dB / +10dB |
| Longitudinal balance | | CCITT 1.431 |
| Insertion Loss | | < 0.5dB |
| Isolation Voltage | DC | 500 V |
| Operating range | | Ambient Temperature |
| Functional | | -10°C to +70°C |
| Storage | | -40°C to +125°C |

Best
Windings Ltd

www.bestwindings.co.uk

*Best Windings Ltd, Viking Works,
Bucklesham Road, Kirton, Ipswich,
Suffolk, England. IP10 0NX
E-Mail: sales@bestwindings.co.uk
Tel: + 44 (0) 1394 448 424
Fax: + 44 (0) 1394 448 430*

©The product numbers used are the trademarks of Best Windings Ltd
©1996-2007 Best Windings Ltd. Reproduction Prohibited

November 2007