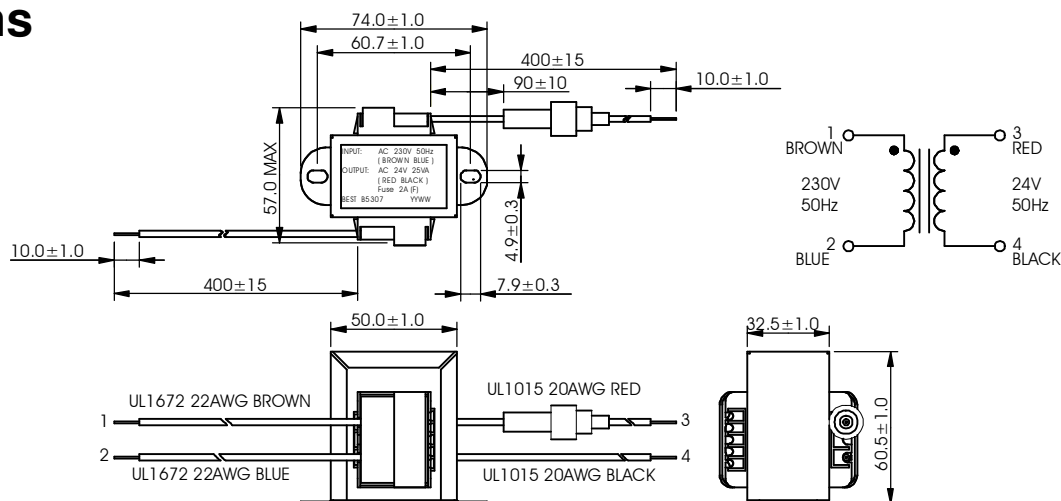


25VA Mains Transformer 230V-24V

B5307

Data Sheet

Dimensions



Dimensions in mm

Technical Data

Test	I/P Pins	O/P Pins	Test Condition	Min.	Max.	Unit
I/P Current	1-2		50Hz, 230V (no load)	-	80	mA
O/P Voltage	1-2	3-4	50Hz, 230V (no load)	25.0	28.0	Vrms
DC Resistance	1-2			63	86	Ω
	3-4			1.1	1.5	Ω
Voltage Proof	1-2	3-4	60 seconds	4.0	-	kVrms
	1-2	core	60 seconds	4.0	-	kVrms
	3-4	core	60 seconds	2.0	-	kVrms

Fuse fitted is 20mm 2A 'quickblow'.
Designed to supply 24Vac \pm 5% @ 1A load current.

Best
Windings Ltd

www.bestwindings.co.uk



RoHS
COMPLIANT

*Best Windings Ltd, Viking Works,
Bucklesham Road, Kirton, Ipswich,
Suffolk, UK, IP10 0NX*

E-Mail: sales@bestwindings.co.uk

Tel: + 44 (0) 1394 448 424

Fax: + 44 (0) 1394 448 430

©The product numbers used are the trademarks of Best Windings Ltd
©2009 Best Windings Ltd. Reproduction Prohibited

January 2009