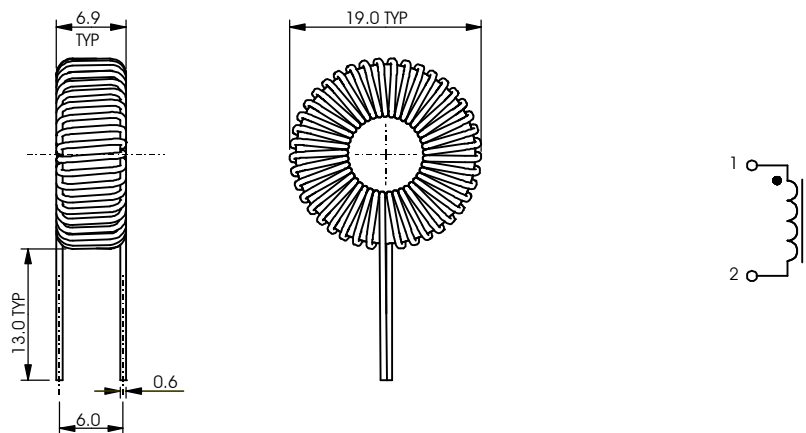


Toroidal Inductor 11 μ H

Data Sheet

B5290

Dimensions



Dimensions in mm

Technical Data

Test	I/P Pins	Test Condition	Min.	Max.	Unit
Inductance	1-2	10kHz, 100mV	10.5	11.6	μ H
DC resistance	1-2		-	0.065	Ω

Best
Windings Ltd

www.bestwindings.co.uk



RoHS
COMPLIANT

*Best Windings Ltd, Viking Works,
Bucklesham Road, Kirton, Ipswich,
Suffolk, UK, IP10 0NX*

E-Mail: sales@bestwindings.co.uk

Tel: + 44 (0) 1394 448 424

Fax: + 44 (0) 1394 448 430

©The product numbers used are the trademarks of Best Windings Ltd
©2009 Best Windings Ltd. Reproduction Prohibited

January 2009