

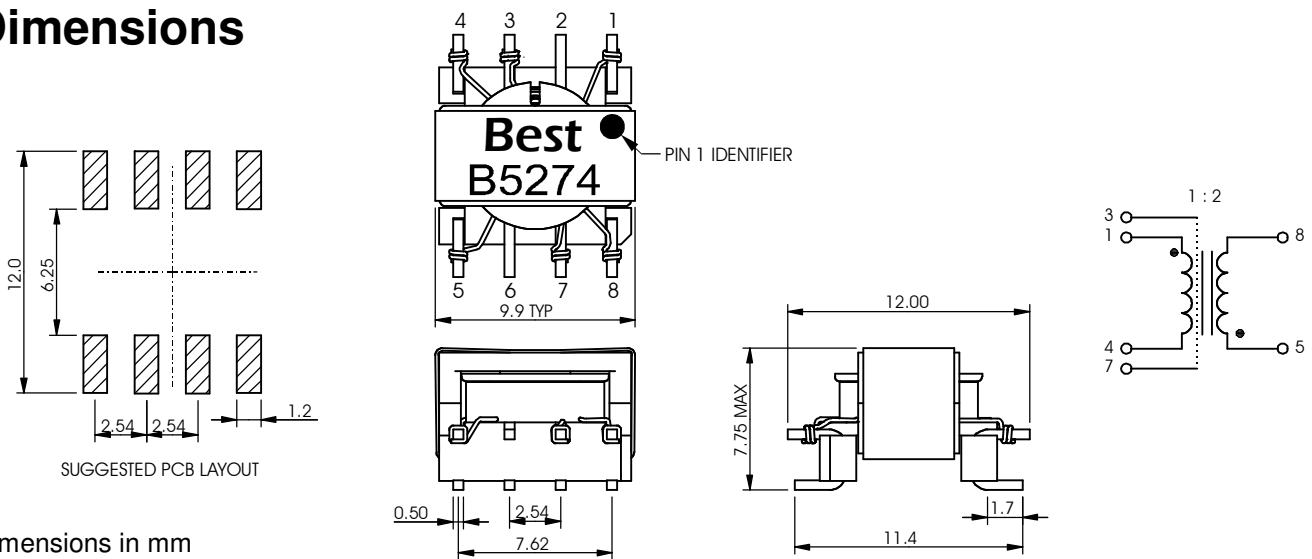
Digital Audio Transformer SMD

Data Sheet

B5274

Digital audio transformer suitable for professional applications requiring bandwidth to 7MHz with voltage & gain e.g. with 110Ω input and 440Ω termination.

Dimensions



Dimensions in mm

Technical Data

Test	I/P Pins	Test Condition	Min.	Max.	Unit
Inductance	1-4	10kHz, 100mV	225	-	μH
Leakage Inductance	1-4, (link 5-8)	100kHz, 100mV	-	700	nH
Ratio	(5-8) : (1-4)		1.94	2.06	
Interwinding Capacitance	(1-4) : (5-8), pin 3 grounded	100kHz, 100mV	-	2	pF
Voltage Proof	(1,4) : (5,8)		500	-	Vrms
Operating range					
Functional		Ambient Temperature	-10 °C	+70 °C	
Storage		Ambient Temperature	-40 °C	+125 °C	

Note: use pin 3 or 7 as interwinding screen. Do not connect pin 3 and 7 together: earth can connect to pin 3 OR pin 7, but not both.

Supplied Taped and Reeled.

Best
Windings Ltd

www.bestwindings.co.uk



RoHS
COMPLIANT

*Best Windings Ltd, Viking Works,
Bucklesham Road, Kirton, Ipswich,
Suffolk, UK, IP10 0NX*

E-Mail: sales@bestwindings.co.uk

Tel: + 44 (0) 1394 448 424

Fax: + 44 (0) 1394 448 430

©The product numbers used are the trademarks of Best Windings Ltd
©2009 Best Windings Ltd. Reproduction Prohibited

January 2009