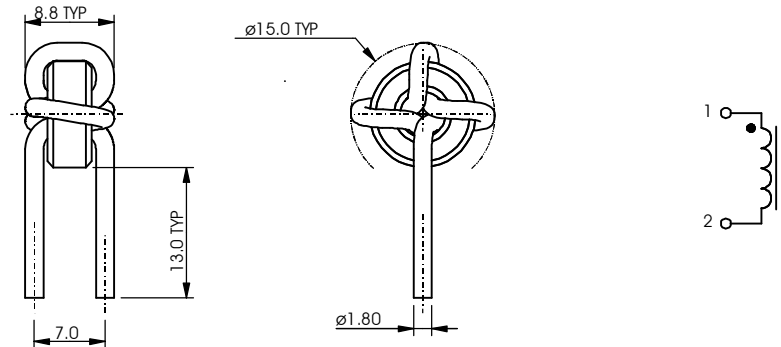


Dimensions



Dimensions in mm

Technical Data

Test	I/P Pins	Test Condition	Min.	Max.	Unit
Inductance	1-2	10kHz, 100mV (DC=5A)	0.9	1.1	μ H
DC resistance	1-2		-	1.0	m Ω

Typical inductance with DC current:

1.06 μ H @ 0A
 1.0 μ H @ 5A
 0.92 μ H @ 10A
 0.86 μ H @ 12A

Best
Windings Ltd

www.bestwindings.co.uk



RoHS
 COMPLIANT

*Best Windings Ltd, Viking Works,
 Bucklesham Road, Kirton, Ipswich,
 Suffolk, UK, IP10 0NX*

E-Mail: sales@bestwindings.co.uk

Tel: + 44 (0) 1394 448 424

Fax: + 44 (0) 1394 448 430