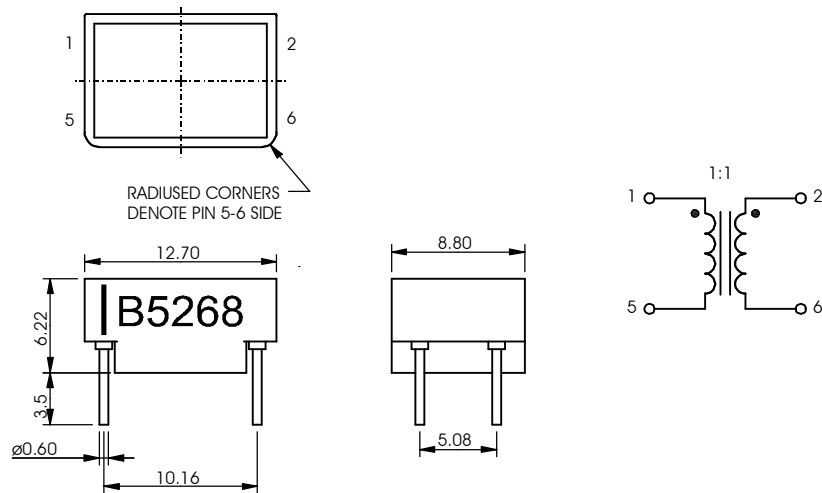


# Pulse Transformer 1:1 ( 76601/1 equivalent )

Data Sheet

# B5268

## Dimensions



Dimensions in mm

## Technical Data

Test	I/P Pins	Test Condition	Min.	Max.	Unit
Primary Inductance	1-5	100mV, 100kHz	2.06	-	mH
Primary ET Constant	1-5		17.5	-	V $\mu$ s
Leakage Inductance	1-5, (link 2-6)	100mV, 100kHz	-	0.6	$\mu$ H
Ratio	(1-5) : (2-6)		0.98	1.02	
Interwinding Capacitance	(1-5) : (2-6)	100mV, 100kHz	-	35	pF
DC Resistance	1-5		-	1.50	$\Omega$
Voltage Proof	(1,5) : (2,6)	500Vdc	2 Secs		

Other variants can be produced. Please contact Best Windings.

**Best**  
**Windings Ltd**

[www.bestwindings.co.uk](http://www.bestwindings.co.uk)



**RoHS**  
COMPLIANT

*Best Windings Ltd, Viking Works,  
Bucklesham Road, Kirton, Ipswich,  
Suffolk, UK, IP10 0NX*

*E-Mail: [sales@bestwindings.co.uk](mailto:sales@bestwindings.co.uk)*

*Tel: + 44 (0) 1394 448 424*

*Fax: + 44 (0) 1394 448 430*

©The product numbers used are the trademarks of Best Windings Ltd  
©2009 Best Windings Ltd. Reproduction Prohibited

January 2009