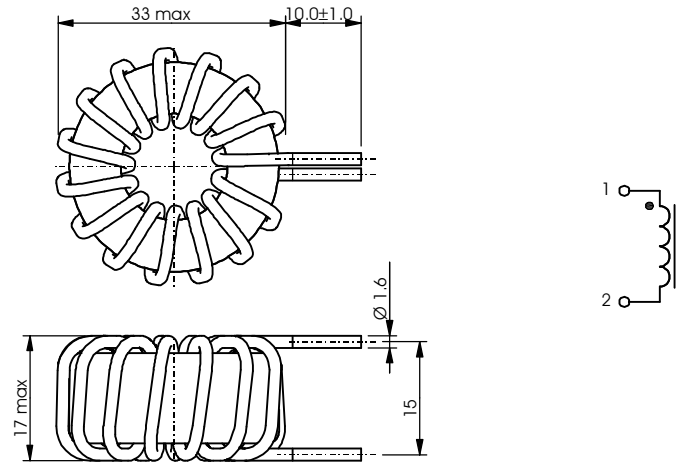


Power Inductor 27 μ H, 10A

Data Sheet

B5261

Dimensions



Dimensions in mm

An inductor designed for high reliability switching applications.

Nominal inductance is 27 μ H @ 10A, 24 μ H @ 12A

The materials are suitable for operation at ambient temperatures in excess of 100°C: wire is 200°C rated, and the core is an alloy powder type.

Technical Data

| Test | I/P Pins | Test Condition | Min. | Max. | Unit |
|---------------|----------|------------------------|------|------|------------|
| Inductance | 1-2 | 100kHz, 100mV (DC=0A) | 30.6 | 37.4 | μ H |
| | | 100kHz, 100mV (DC=10A) | 25 | - | μ H |
| DC resistance | 1-2 | | - | 7.0 | m Ω |

Best
Windings Ltd

www.bestwindings.co.uk



RoHS
COMPLIANT

*Best Windings Ltd, Viking Works,
Bucklesham Road, Kirton, Ipswich,
Suffolk, UK, IP10 0NX*

E-Mail: sales@bestwindings.co.uk

Tel: + 44 (0) 1394 448 424

Fax: + 44 (0) 1394 448 430

©The product numbers used are the trademarks of Best Windings Ltd
©2009 Best Windings Ltd. Reproduction Prohibited

January 2009