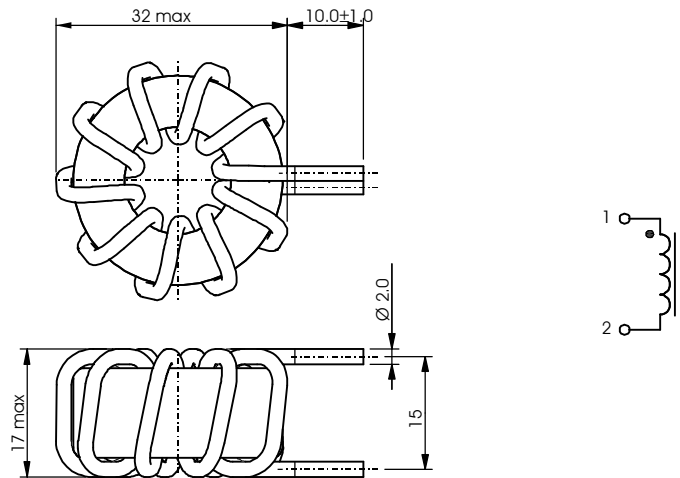


Dimensions



Dimensions in mm

An inductor designed for high reliability switching applications. Nominal inductance is 10 μ H @ 25A. The materials are suitable for operation at ambient temperatures in excess of 100°C: wire is 200°C rated, and the core is an alloy powder type.

Technical Data

Test	I/P Pins	Test Condition	Min.	Max.	Unit
Inductance	1-2	100kHz, 100mV (DC=0A)	13.6	16.6	μ H
		100kHz, 100mV (DC=25A)	9.5	-	μ H
DC resistance	1-2		-	4.0	m Ω

Best
Windings Ltd

www.bestwindings.co.uk



RoHS
COMPLIANT

*Best Windings Ltd, Viking Works,
Bucklesham Road, Kirton, Ipswich,
Suffolk, UK, IP10 0NX*

E-Mail: sales@bestwindings.co.uk

Tel: + 44 (0) 1394 448 424

Fax: + 44 (0) 1394 448 430