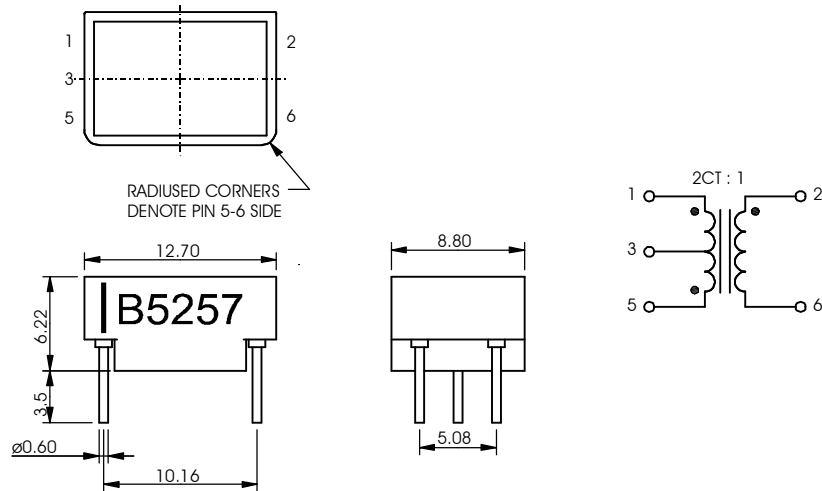


Pulse Transformer 2CT:1 (76614/1 equivalent)

Data Sheet

B5257

Dimensions



Dimensions in mm

Technical Data

Test	I/P Pins	Test Condition	Min.	Max.	Unit
Primary Inductance	1-5	100mV, 100kHz	1.97	-	mH
Primary ET constant	1-5		17	-	V μ s
Leakage Inductance	1-5, (link 2-6)	100mV, 100kHz	-	1.0	μ H
Ratio	(1-3) : (2-6) (3-5) : (2-6)		0.98 0.98	1.02 1.02	
Interwinding Capacitance	(1-5) : (2-6)	100mV, 100kHz	-	35	pF
DC Resistance	1-5		-	1.50	Ω
Voltage Proof	(1,5) : (2,6)	500Vdc	2 Secs		

Other variants can be produced. Please contact Best Windings.

Best
Windings Ltd

www.bestwindings.co.uk



RoHS
COMPLIANT

*Best Windings Ltd, Viking Works,
Bucklesham Road, Kirton, Ipswich,
Suffolk, UK, IP10 0NX*

E-Mail: sales@bestwindings.co.uk

Tel: + 44 (0) 1394 448 424

Fax: + 44 (0) 1394 448 430

©The product numbers used are the trademarks of Best Windings Ltd
©2009 Best Windings Ltd. Reproduction Prohibited

January 2009