

# Loop Control Transformer

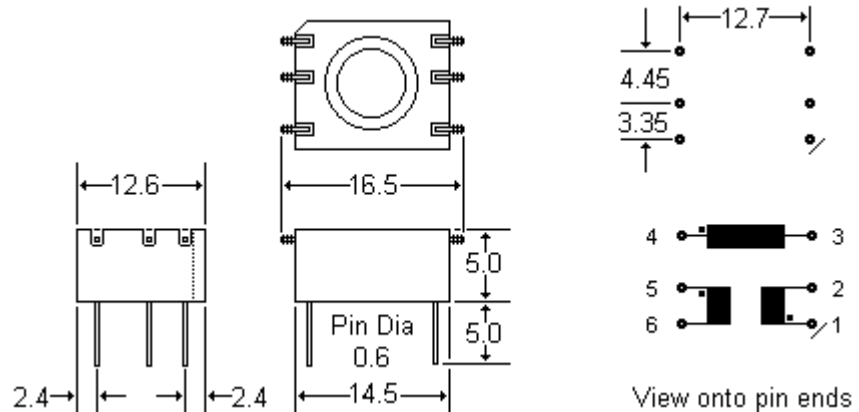
Provisional Data Sheet Nov. 01

# 804195

## Features

- 5mm Seated height
- Encapsulated
- Tested to 500V DC isolation
- Rugged design
- Flammability to UL94 V0
- Usually from stock availability

## Dimensions



Dimensions in mm  
Connection pins require finished hole size of 1.0mm  
Pin grid and box geometric centres coincide within a tolerance circle of 1.0mm

Tolerances  $\pm 0.1\text{mm}$

## Technical Data

Parameter	Conditions	Value
Lp All wdgs	10 kHz 10 mV	259-431 $\mu\text{H}$
Leakage Ls pins 5-6	100 kHz	170nH typical
Ratio Pins 3-4 / 2-1/ 5-6		1 : 1 : 1
DCR all wdgs		0.37 $\Omega$ typical
Isolation Voltage	DC	500 V
Operating range Functional Storage		Ambient Temperature -10°C to +70°C -40°C to +125°C

**Best**  
**Windings Ltd**

<http://www.bestwindings.co.uk/>

*Best Windings Ltd, Viking Works,  
7 Bucklesham Road, Kirton, Ipswich,  
Suffolk, England. IP10 0NX  
E-Mail: [sales@bestwindings.co.uk](mailto:sales@bestwindings.co.uk)  
Tel: + 44 (0) 1394 448 424  
Fax: + 44 (0) 1394 448 430*

©The product numbers used are the trademarks of Best Windings Ltd  
©1996 Best Windings Ltd. Reproduction Prohibited

May 1996