

Loop Control Transformer

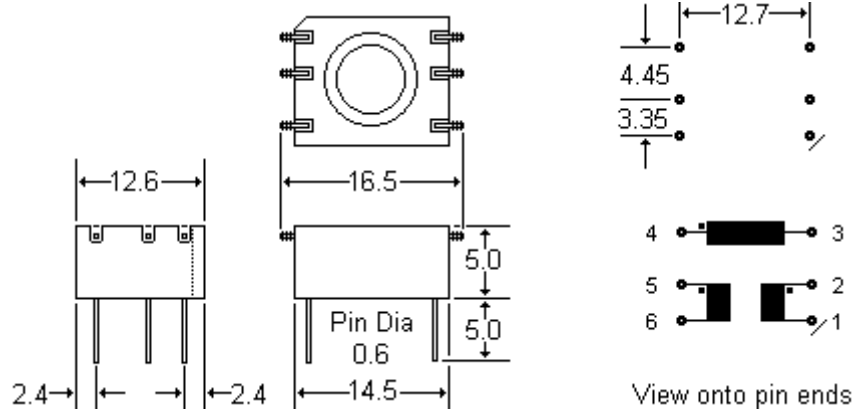
Provisional Data Sheet Nov. 01.

804194

Features

- 5mm Seated height
- Encapsulated
- Tested to 500V DC isolation
- Rugged design
- Flammability to UL94 V0
- Usually from stock availability

Dimensions



Dimensions in mm
Connection pins require finished hole size of 1.0mm
Pin grid and box geometric centres coincide within a tolerance circle of 1.0mm

Tolerances $\pm 0.1\text{mm}$

Technical Data

Parameter	Conditions	Value
Lp All wdgs	10 kHz 10 mV	145 - 270 μH
Leakage Ls pins 5-6	100 kHz	60nH typical
Ratio Pins 3-4 / 2-1/ 5-6		1 : 1 : 1
DCR all wdgs		0.07 Ω typical
Isolation Voltage	DC	500 V
Operating range Functional Storage		Ambient Temperature -10 $^{\circ}\text{C}$ to +70 $^{\circ}\text{C}$ -40 $^{\circ}\text{C}$ to +125 $^{\circ}\text{C}$

Best
Windings Ltd

<http://www.bestwindings.co.uk/>

*Best Windings Ltd, Viking Works,
7 Bucklesham Road, Kirton, Ipswich,
Suffolk, England. IP10 0NX
E-Mail: sales@bestwindings.co.uk
Tel: + 44 (0) 1394 448 424
Fax: + 44 (0) 1394 448 430*

©The product numbers used are the trademarks of Best Windings Ltd
©1996 Best Windings Ltd. Reproduction Prohibited

May 1996