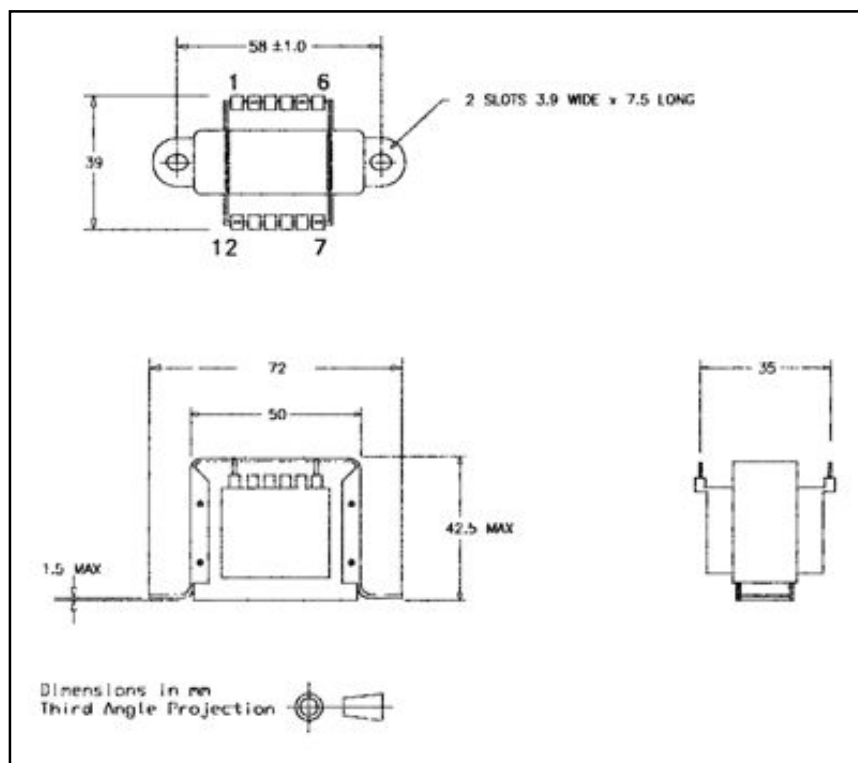


ISOLATION TRANSFORMER

03138

Designed for audio frequency line isolation applications while carrying up to 120mA DC.



Parameter	Conditions	Value
Primary Inductance	2-5, 120mA DC	350mH min
Turns ratio	2-5 : 7-12	1 : 1
Primary DC Resistance	-	32Ω ±10%
Secondary DC Resistance	-	52Ω ±10%
Saturation voltage	-	75V max
Typical leakage inductance	-	18mH
Proof voltage primary to secondary	-	4.0kV rms
Proof voltage windings to core	-	4.0kV rms

Best

Information for guidance only, specification subject to change. © 2007 Best Windings Ltd.

Best Windings Ltd, Viking Works, 7 Bucklesham Road, Kirton, Ipswich, Suffolk, IP10 0NX, UK.

Telephone: +44 (0) 1394 448424

Fax: +44 (0) 1394 448430

Website: www.bestwindings.co.uk

Email: sales@bestwindings.co.uk